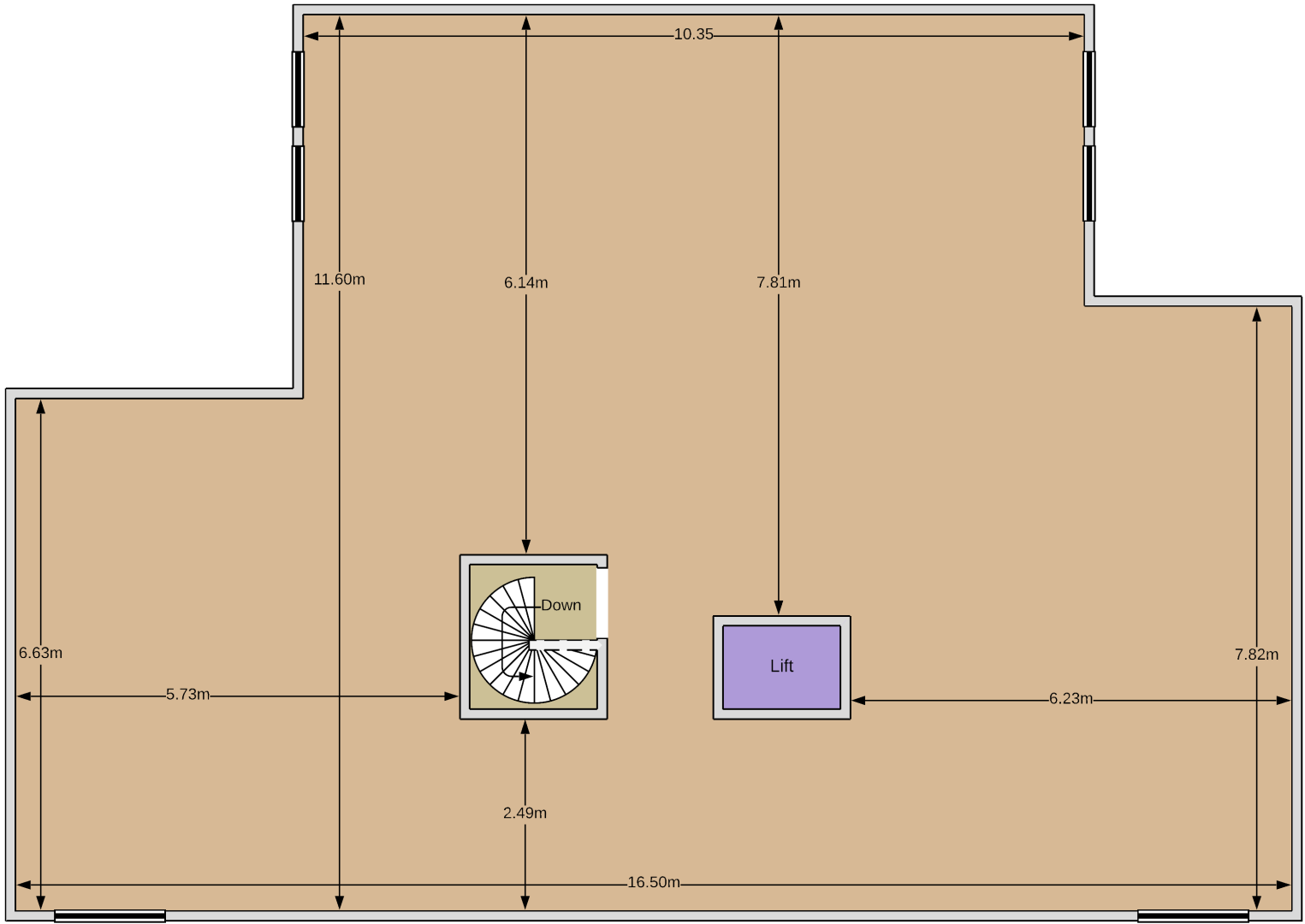




Apartment 3, Old Free Church, Lybster

Georgesons
Estate Agents

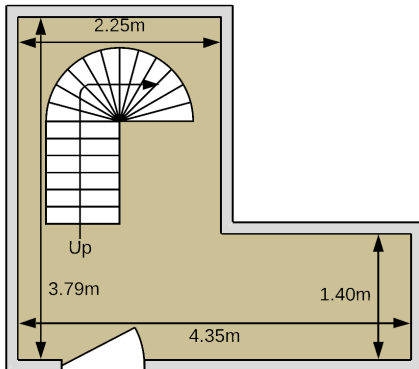


First Floor

Approximate floor area:

1768.94 ft²

(164.34 m²)



Ground Floor

Approximate floor area:

123.35 ft²

(11.46 m²)

Whilst every attempt has been made to ensure the accuracy of the floor plan contained here, measurements of doors, windows, rooms and any other items are approximate and no responsibility is taken for any error, omission, or miss-statement.

This plan is for illustrative purposes only and should only be used as such by any prospective purchaser or tenant.